

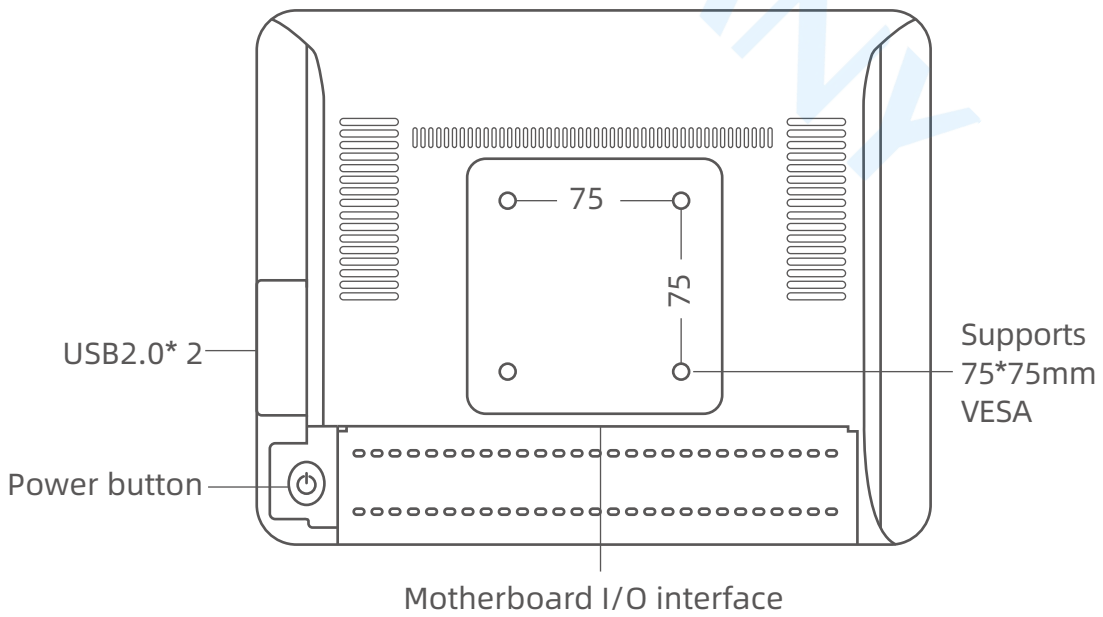
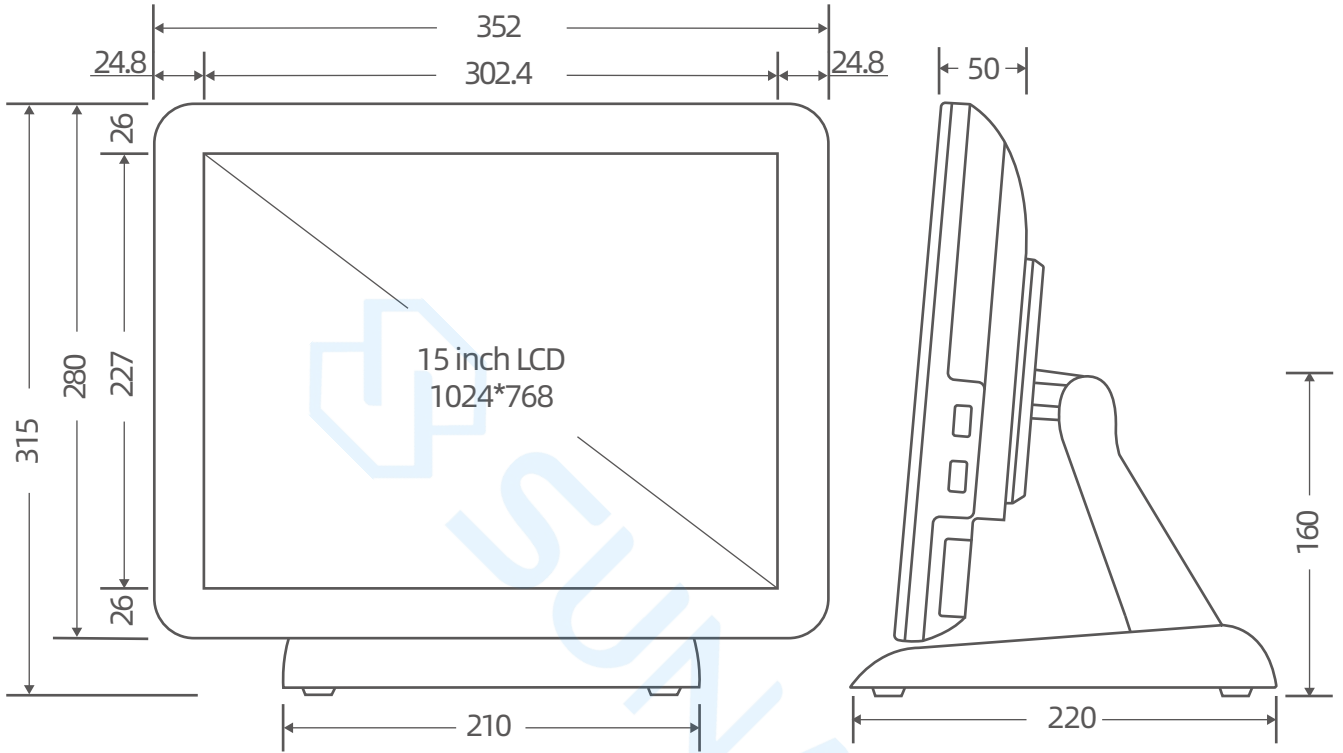
Sunany Z200-Z POS Terminal



- 15 inch main display with capacitive 10 point touch panel.
- The main screen supports 270-degree flip, easy to connect with POS peripheral devices.
- The POS body is made of A-grade ABS, which has excellent impact resistance.

Shell Material: Grade A ABS
Stand Material: Grade A ABS

Unit:mm



Work Environment	
Storage Temperature	-20~60 °C
Work Temperature	10~35 °C
Storage Humidity	20%~70%
Work Humidity	35%~70%
Power Input	100~240V (50/ 60Hz)

Main Display	
Display Size	15 inch (diagonal)
Active Area	304.1 mm (H)* 228.1 mm (V)
Number of Pixels	1024 pixels (H)* 768 pixels (V)
Display Ratio	4: 3
Contrast	1000:1
Backlight Brightness	350 cd/m2

Touch Panel	
Touch Controller	ILITEK ILI2511 (64 channels)
Touch Type	Capacitive 10 point touch
Lens View Area	302.4 mm* 227 mm
Cover Glass Thickness	1.6 mm
Sensor Glass Thickness	0.7 mm
Surface Hardness	6H

SSD	
Interface Type	SATA III
Interface Socket	Mini SATA (mSATA)
Max Capacity	Unlimited
Operating Voltage	5V

RAM		
DDR3L	Interface Socket	SO-DIMM 204pin
	Max Capacity	8GB (i3/ i5/ i7 motherboard 3 rd)
		16GB (i3/ i5/ i7 motherboard, 4 th ~5 th gen)
	Working Frequency	1333MHz/ 1600MHz
Operating Voltage	1.35V	
DDR4	Interface Socket	SO-DIMM 260pin
	Max Capacity	8GB (J4125 motherboard)
		16GB (N5105/ J6412 motherboard)
	Working Frequency	2400MHz/ 2933 MHz
Operating Voltage	1.2V	



J4125

J4125 Motherboard		
Parameters	Specification	Unit
Processor Number	J4125	
Processor Series	Celeron	
Motherboard Type	Mini-ITX/ Processor on board/ Fanless	
Generation	9 th	
Cores	4	pieces
Threads	4	
Base Frequency	2.0	GHz
Burst Frequency	2.7	GHz
Cache	4	MB
Audio	Realtek ALC662 HD	
Graphics	Intel® HD Graphics 600	
4K Support	Yes, at 60Hz	
Network	Realtek RTL8106E 100M	
RAM Socket	SO-DIMM* 1	piece
Max RAM Capacity	8	GB
RAM Types	DDR4 2400	MHz
SSD Interface	Mini SATA* 1	piece
Expand Interface	Mini PCI-E* 1 (for Wi-Fi)	piece
I/O Interface	USB 2.0* 2 (Expand, on the right of screen)	piece
	USB 2.0* 2	piece
	USB 3.0* 2	piece
	RS232* 2	piece
	VGA* 1	piece
	RJ45* 1	piece
	Mic-in* 1	piece
	Audio-out* 1	piece
	DC-in* 1	piece

Remark:

1. 100M ethernet controller is by default, which supports 1000M ethernet controller for optional.
2. The default video extension interface is VGA interface, which supports HDMI interface for optional.
3. The COM ports default to no voltage, the COM2 supports 5V or 12V for optional.



N5105

N5105 Motherboard		
Parameters	Specification	Unit
Processor Number	N5105	
Processor Series	Celeron	
Motherboard Type	Mini-ITX/ Processor on board	
Generation	10 th	
Cores	4	pieces
Threads	4	
Base Frequency	2.0	GHz
Burst Frequency	2.9	GHz
Cache	4	MB
Audio	Realtek ALC662 HD	
Graphics	Intel® UHD Graphics	
4K Support	Yes, at 60Hz	
Network	Realtek RTL8111H 1000M	
RAM Socket	SO-DIMM* 1	piece
Max RAM Capacity	16	GB
RAM Types	DDR4 2933	MHz
SSD Interface	Mini SATA* 1	piece
Expand Interface	Mini PCI-E* 1 (for Wi-Fi)	piece
I/O Interface	USB 2.0* 2 (Expand, on the right of screen)	piece
	USB 3.0* 4	piece
	RS232* 2	piece
	VGA* 1	piece
	RJ45* 1	piece
	Mic-in* 1	piece
	Audio-out* 1	piece
	DC-in* 1	piece

Remark:

1. The default video extension interface is VGA interface, which supports HDMI interface for optional.

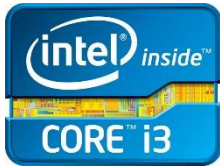


J6412

J6412 Motherboard		
Parameters	Specification	Unit
Processor Number	J6412	
Processor Series	Celeron	
Motherboard Type	Mini-ITX/ Processor on board/ Fanless	
Generation	11 th	
Cores	4	pieces
Threads	4	
Base Frequency	2.0	GHz
Burst Frequency	2.6	GHz
Cache	1.5	MB
Audio	Realtek ALC662 HD	
Graphics	Intel® UHD Graphics	
4K Support	Yes, at 60Hz	
Network	Realtek RTL8111H 1000M	
RAM Socket	SO-DIMM* 1	piece
Max RAM Capacity	16	GB
RAM Types	DDR4 2933	MHz
SSD Interface	Mini SATA* 1	piece
Expand Interface	Mini PCI-E* 1 (for Wi-Fi)	piece
I/O Interface	USB 2.0* 2 (Expand, on the right of screen)	piece
	USB 3.0* 4	piece
	RS232* 2	piece
	VGA* 1	piece
	RJ45* 1	piece
	Mic-in* 1	piece
	Audio-out* 1	piece
	DC-in* 1	piece

Remark:

1. The default video extension interface is VGA interface, which supports HDMI interface for optional.
2. The COM ports defaults to no voltage, the COM2 supports 5V or 12V for optional.



i3-3217U

i3-3217U Motherboard		
Parameters	Specification	Unit
Processor Number	i3-3217U	
Processor Series	Core	
Motherboard Type	Mini-ITX	
Cores	2	pieces
threads	4	
Base Frequency	1.8	GHz
Burst Frequency	Not support	
Cache	3	MB
Audio	Realtek ALC662 HD	
Graphics	Intel® HD Graphics 4000	
Network	Realtek RTL8106E 100M	
RAM Socket	SO-DIMM* 1	piece
Max RAM Capacity	8	GB
RAM Types	DDR3L 1333	MHz
SSD Interface	Mini SATA* 1	piece
Expand Interface	Mini PCI-E* 1 (for Wi-Fi)	piece
I/O Interface	USB 2.0* 2 (Expand, on the right of screen)	piece
	USB 3.0* 2	piece
	USB 2.0* 2	piece
	RS232* 2	piece
	HDMI* 1	piece
	VGA* 1	piece
	RJ45* 1	piece
	Mic-in* 1	piece
	Audio-out* 1	piece
	DC-in* 1	piece

Remark:

1. 100M ethernet controller is by default, which supports 1000M ethernet controller for optional.
2. The COM port defaults to no voltage, 5V/12V is optional.



i3/ i5/ i7 (4th~5th gen)

i3/ i5/ i7 (4th~5th gen) Motherboard		
Parameters	Specification	Unit
Processor Number	i3/ i5/ i7	
Processor Series	Core	
Motherboard Type	Mini-ITX	
Cores	2	pieces
threads	4	
Base Frequency	Depending on the specific model	GHz
Burst Frequency	Depending on the specific model	GHz
Cache	Depending on the specific model	MB
Audio	Realtek ALC662 HD	
Graphics	Intel® HD Graphics 4400/ 5500	
Network	Realtek RTL8111H 1000M	
RAM Socket	SO-DIMM* 1	piece
Max RAM Capacity	16	GB
RAM Types	DDR3L 1333/ 1600	MHz
SSD Interface	Mini SATA* 1	piece
Expand Interface	Mini PCI-E* 1 (for Wi-Fi)	piece
I/O Interface	USB 2.0* 2 (Expand, on the right of screen)	piece
	USB 3.0* 2	piece
	USB 2.0* 2	piece
	RS232* 2	piece
	VGA* 1	piece
	HDMI* 1	piece
	RJ45* 1	piece
	Mic-in* 1	piece
	Audio-out* 1	piece
DC-in* 1	piece	

Remark: The COM port defaults to no voltage, 5V/12V is optional.

Unit Packing List	
	POS Terminal* 1
	Power Adapter* 1
	AC Cable* 1
	Cable Tie* 4
	User Manual* 1

Unit Packing Information	
Unit Net Weight	3.7 kg
Unit Gross Weight	5.2 kg
Unit Package Size	430*310*420 mm

Carton Packing Information	
Number of Units	2 units
Gross Weight	11.5 kg
Package Size	580*460*440 mm

Warranty Item	
Warranty Period	13 months
The warranty period starts from the commercial invoice date	

Tips: Product video https://youtu.be/aPAMC_OswnA