

Sunany Z100-O POS Terminal



- 15 inch main display with capacitive 10 point touch panel
- Modular design, rich easy devices for easy port
- The aluminum alloy stand can be disassembled before shipment; the whole POS terminal can be packed into a smaller carton, saving your shipping cost

Work Environment	
Storage Temperature	-20~60 °C
Work Temperature	10~35 °C
Storage Humidity	20%~70%
Work Humidity	35%~70%
Power Input	100~240V (50/ 60Hz)

Main Display	
Display Size	15 inch (diagonal)
Active Area	304.1 mm (H)* 228.1 mm (V)
Number of Pixels	1024 pixels (H)* 768 pixels (V)
Display Ratio	4: 3
Contrast	1000:1
Backlight Brightness	350 cd/m2

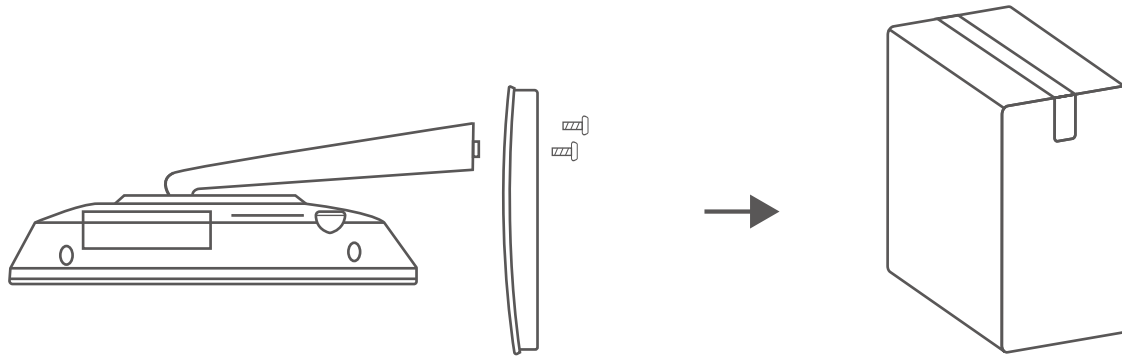
Touch Panel	
Touch Controller	ILITEK ILI2511 (64 channels)
Touch Type	Capacitive 10 point touch
Lens View Area	302.4 mm* 227 mm
Cover Glass Thickness	1.6 mm
Sensor Glass Thickness	0.7 mm
Surface Hardness	6H

RAM	
Max Capacity	4GB
Transfer Rate	3200MT/s
I/O Bus Clock	1600MHz
Operating Voltage	1.35V

ROM	
ROM Type	eMMC
Interface Socket	On board
Max Capacity	32GB
Operating Voltage	5V

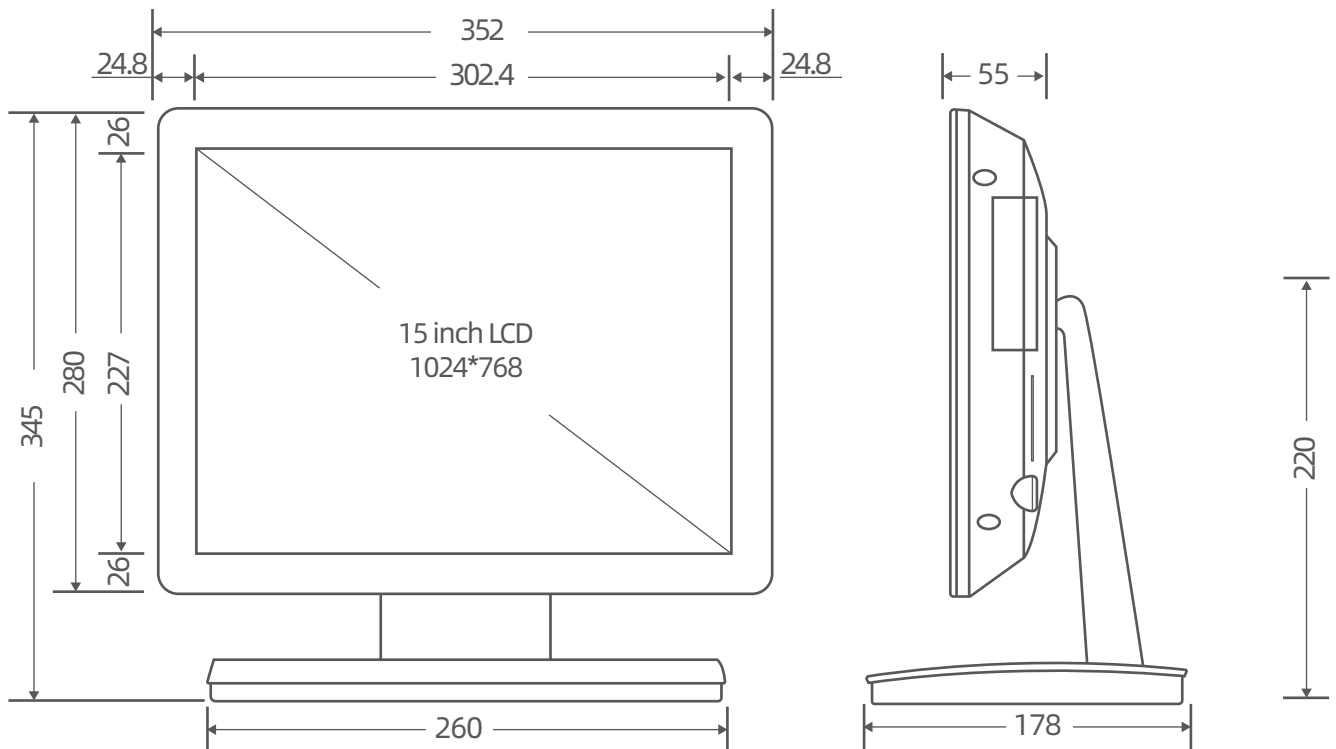
Stand is able to be disassembled

The aluminum alloy stand can be disassembled.
So the whole POS machine can be packed into a smaller carton.

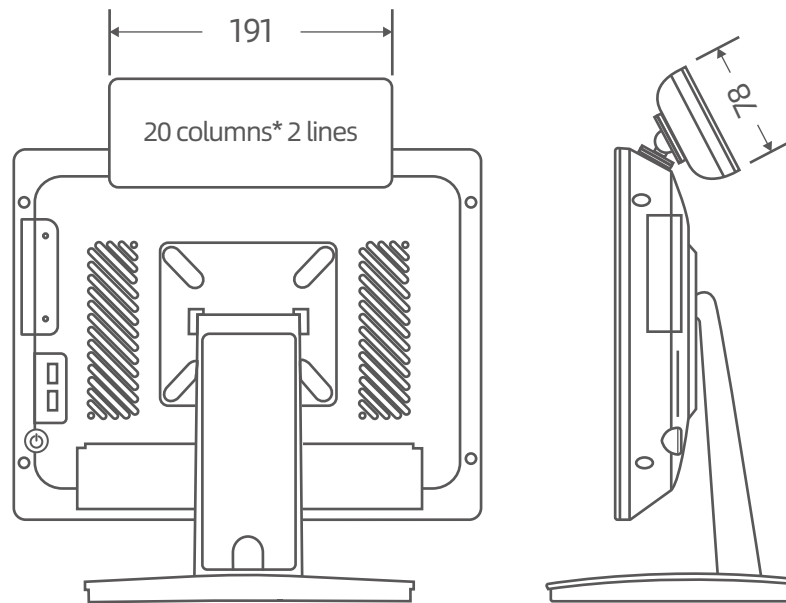


Shell Material: A Grade ABS
Stand Material: aluminium alloy

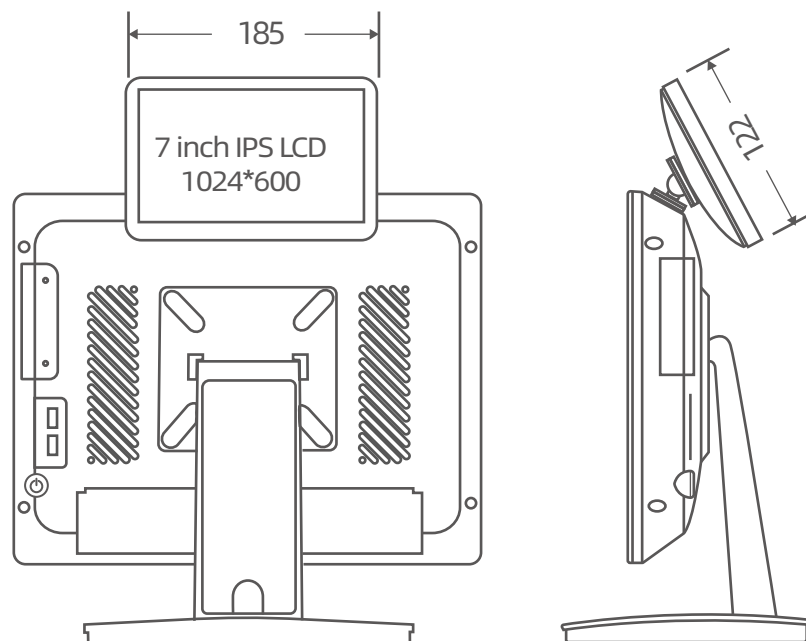
Unit:mm



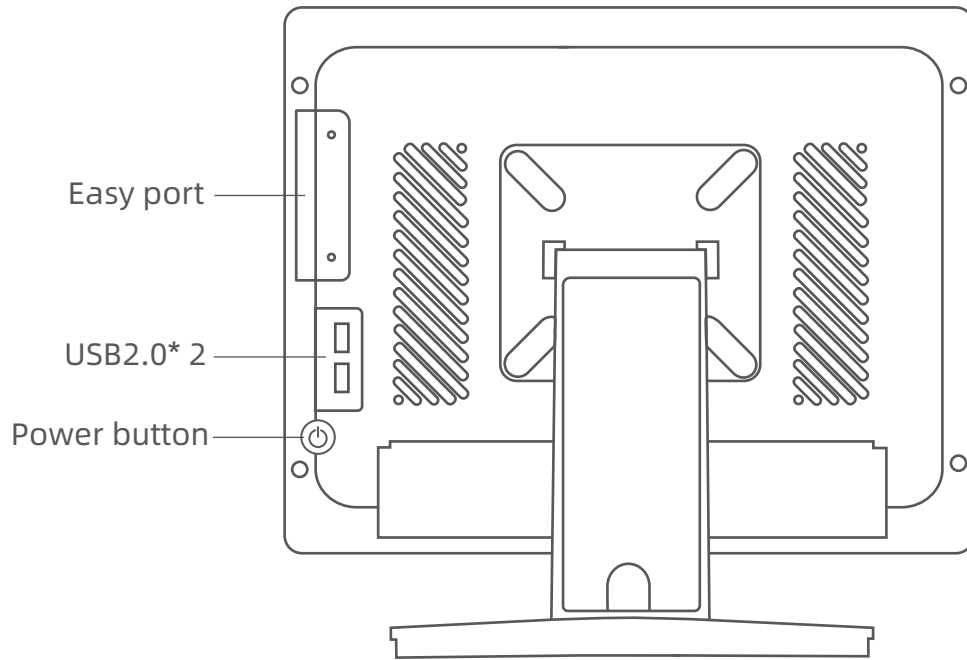
VFD
Customer
Display



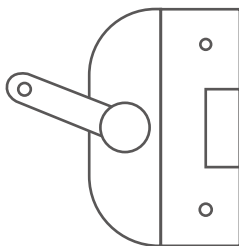
7 inch
Second
Screen



* The customer display or second screen needs to be pre-installed before shipment and cannot be removed.



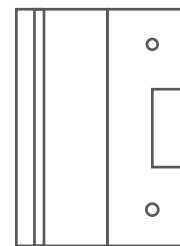
Easy Devices



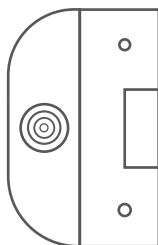
i-Button



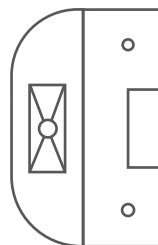
NFC Card Reader



Magnetic Stripe Card Reader



Camera



2D Barcode Reader

* The "easy port" is created by Sunany, which means that the "easy device" can be installed in few seconds, which is convenient for resellers to expand the functions of the POS system according to customer requirements.



RK3568

RK3568 Motherboard		
Parameters	Specification	unit
Operating System	Android 11	
Processor Number	RK3568 Cortex-A55	
Motherboard Type	Processor on board/ Fanless	
Cores	4	pieces
Working Frequency	2.0	GHz
GPU	Mali-G52	
Network	Ethernet 1000M	
	IEEE 802.11.ax (WIFI 6)	
	Bluetooth 4.0	
RAM Type	LPDDR4-3200	
Standard RAM Capacity	2	GB
Max RAM Capacity	4	GB
ROM Type	eMMC	
Standard ROM Capacity	16	GB
Max ROM Capacity	32	GB
Expand Interface	Mini PCI-E* 1 (for 4G LTE)	piece
I/O Interface	USB 2.0* 2 (Expand, on the left side of screen)	piece
	USB 2.0* 2 (Expand, on the right side of screen)	piece
	USB 3.0* 2	piece
	USB 2.0* 2	piece
	RS232* 2	piece
	RJ45* 1	piece
	RJ11* 1	piece
	SIM card slot	piece
	TF card slot, supports up to 128GB	piece
	Mic-in* 1	piece
Audio-out* 1	piece	

Unit Packing List	
	POS Terminal* 1
	Power Adapter* 1
	AC Cable* 1
	Cable Tie* 4
	User Manual* 1

Unit Packing Information			
Item	Single screen	With VFD	With 7" LCD
Unit Net Weight	3.7 kg	4.0 kg	4.2 kg
Unit Gross Weight	5.3 kg	5.6 kg	5.8 kg
Unit Package Size	480*180*440 mm	480*180*440 mm	480*180*440 mm

Carton Packing Information			
Number of Units	1 unit	2 units	4 units
Gross Weight	6.8 kg (Single screen)	12.8 kg (Single screen)	23.5 kg (Single screen)
	7.1 kg (With VFD)	13.5 kg (With VFD)	24.8 kg (With VFD)
	7.3 kg (With 7" LCD)	13.9 kg (With 7" LCD)	25.5 kg (With 7" LCD)
Package Size	490*190*470 mm	500*370*480mm	700*500*470 mm

Warranty Item	
Warranty Period	13 months
The warranty period starts from the commercial invoice date	