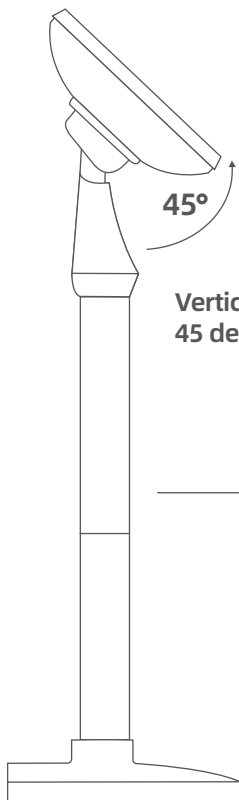
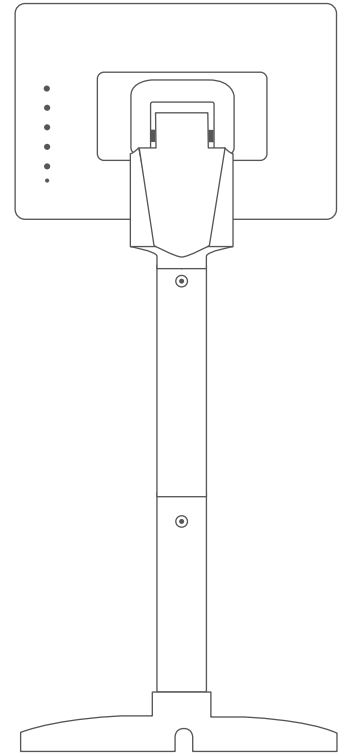
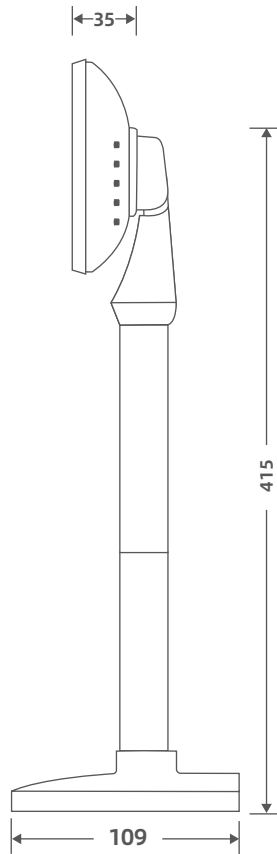
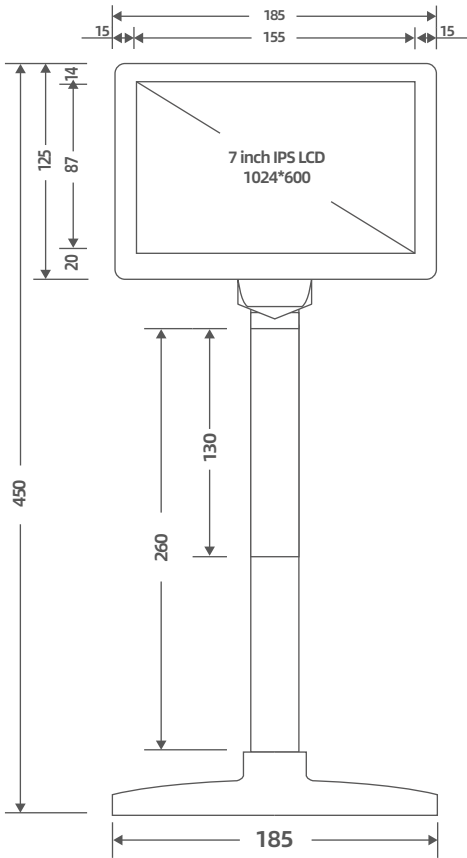


Sunany PD70 Pole Customer Display

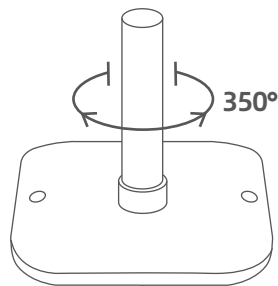


- 7-inch high brightness IPS LCD, 1024*600 pixels
- Powered by a separate adapter, the work is more stable
- VGA or HDMI interface for optional

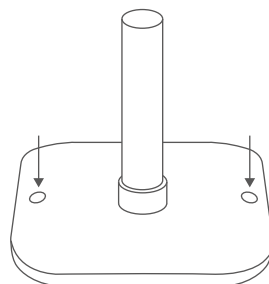
Unit:mm



Vertical adjustable Angle :
45 degrees



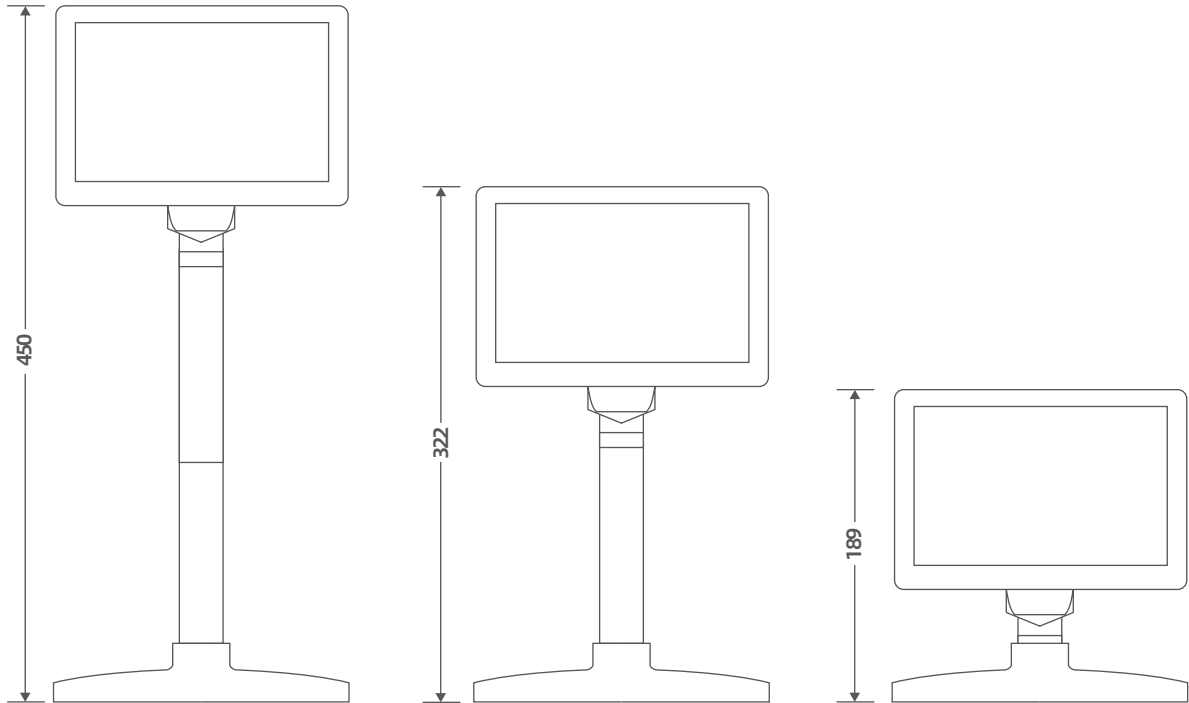
Horizontal adjustable Angle :
350 degrees



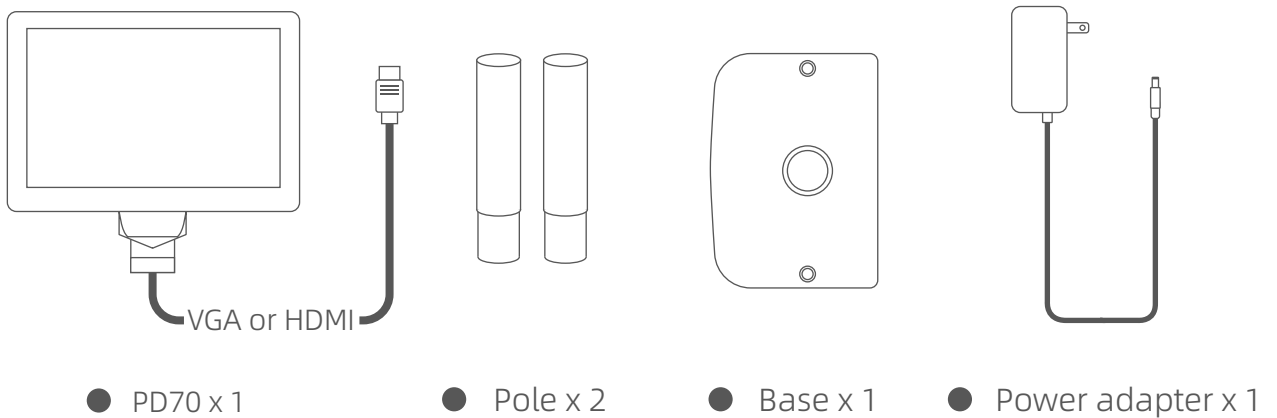
Supports fixed desktop installation

Unit:mm

Three heights are available



Packing list



Product Parameter	
Model Number	PD70
Interface	VGA or HDMI
Power Supply	12V 3A
Horizontal Adjustable Angle	350 degrees
Vertical Adjustable Angle	60 degrees
Display Cable Length	1.5m
Power Cable Length	2m

Display Parameter	
Display Size	7 inch (diagonal)
Display Technology	IPS
Number of Pixels	1024 pixels (H)* 600 pixels (V)
Active Area	154.2144 mm (H)* 85.92 mm (V)
Display Ratio	16: 9
Response Time	25ms
Display Colors	16.7M
Contrast Ratio	700:1
Backlight Brightness	430 cd/m ²

Environmental Requirement	
Storage Temperature	-20~60 °C
Work Temperature	-10~45 °C
Storage Humidity	20%~70%
Work Humidity	35%~70%
Power Input	100~240V (50/ 60Hz)

Unit Packing List	
PD70-V (VGA interface)	PD70-H (HDMI interface)
PD70-V* 1	PD70-H* 1
VGA cable* 1	HDMI cable* 1
Power Adapter* 1	Power Adapter* 1
Pole* 2	Pole* 2
Base* 1	Base* 1

Unit Packing Information	
Net Weight	1.2kg
Gross Weight	1.9kg
Package Size	25.5*28*10 cm

Carton Packing Information			
Number of Units	1unit	5 units	10 units
Gross Weight	2.5kg	10.8kg	21kg
Package Size	30.5*28*12cm	54.5*30.5*28cm	60*54.5*28cm

Warranty Item	
Warranty Period	12 months
The warranty period starts from the commercial invoice date	

FAQ:

- Why doesn't PD70 use a USB port power supply?

As we all know, the USB port provides 5V voltage and 500mA current, these values may be lower on the extended USB port. And high-brightness IPS LCD needs better power support, the USB power supply cannot ensure works well, so a 12V 3A power adapter for PD70 is the better choice

- Is there a longer HDMI or VGA cable for PD70?

The standard length of PD70 HDMI or VGA cable is 1.5m, if you need longer, 2m or 3m is optional. the length of more than 3m is not recommended, signal attenuation may cause unstable operation.